



Alien Orb Surface Mount



Technical Specifications

Materials	Ceramic, steel or brass
Product weight	4 lbs
Lead time	12 weeks
Bulbs included (1)	G9 / 110 V / 4.5 W / 450 lm 2700 K / dimmable
Dimmer	TRIAC
Max wattage	10 W
Certifications	UL listed, damp-rated

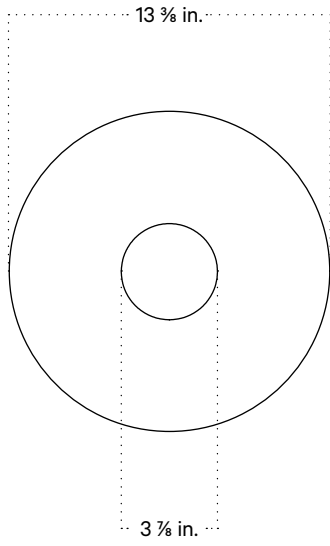


Notes

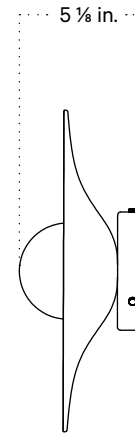
1. This fixture can be installed on a wall or ceiling.
2. This fixture has handmade elements and may exhibit variability within the same piece. These variations are inherent in the production process and are not to be considered as defects. We do our best to maintain a consistent product while honoring handmade craftsmanship.
3. Dimensions may vary within one inch.

Updated April 17, 2023

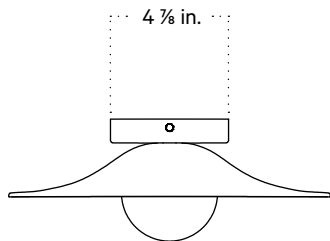
Front View



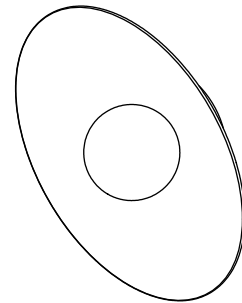
Side View



Front View: Ceiling Installation



Isometric View





Alien Orb Surface Mount, Plug- in

Technical Specifications

Materials	Ceramic, steel or brass
Product weight	4.5 lbs
Lead time	12 weeks
Bulbs included (1)	G9 / 110 V / 4.5 W / 450 lm 2700 K / dimmable
Dimmer	Optional in-line dimmer switch
Cord length	16 feet
Max wattage	10 W
Certifications	UL listed

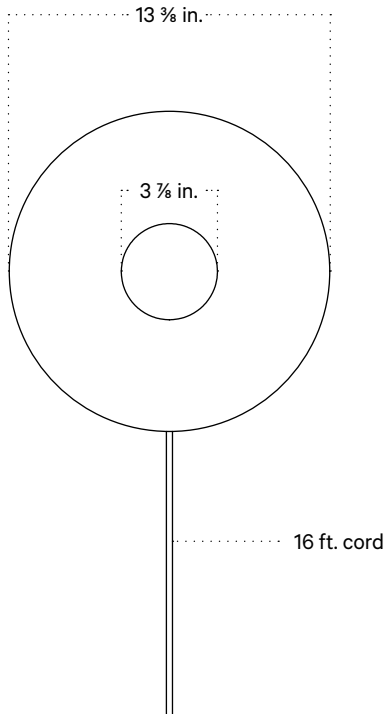


Notes

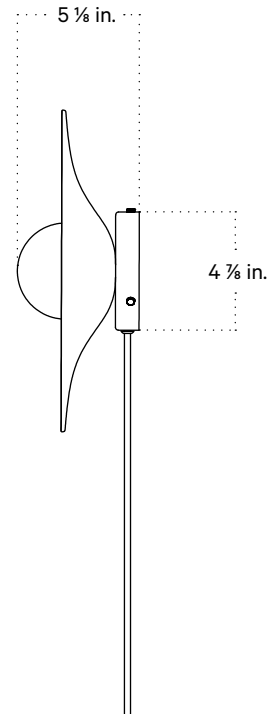
1. This fixture can be ordered with an on/off switch or an inline dimmer; see additional details below.
2. Fixtures ordered with painted metal hardware and an on/off switch come with a 16-foot black fabric cord. The on/off switch is located 8 feet from the plug.
3. Fixtures ordered with painted metal hardware and an inline dimmer have a 16-foot black nylon cord. The dimmer switch is our black painted metal finish and is located 8 feet from the plug.
4. Fixtures ordered with brass hardware and an on/off switch come with a 16-foot chocolate brown fabric cord. The on/off switch is located 8 feet from the plug.
5. Fixtures ordered with brass hardware and an inline dimmer have a 16-foot chocolate brown fabric cord. The dimmer switch is our black painted metal finish and is located 8 feet from the plug.
6. Custom cord color can be specified for an additional cost; please inquire.
7. This fixture has handmade elements and may exhibit variability within the same piece. These variations are inherent in the production process and are not to be considered as defects. We do our best to maintain a consistent product while honoring handmade craftsmanship.
8. Dimensions may vary within one inch.

Updated April 17, 2023

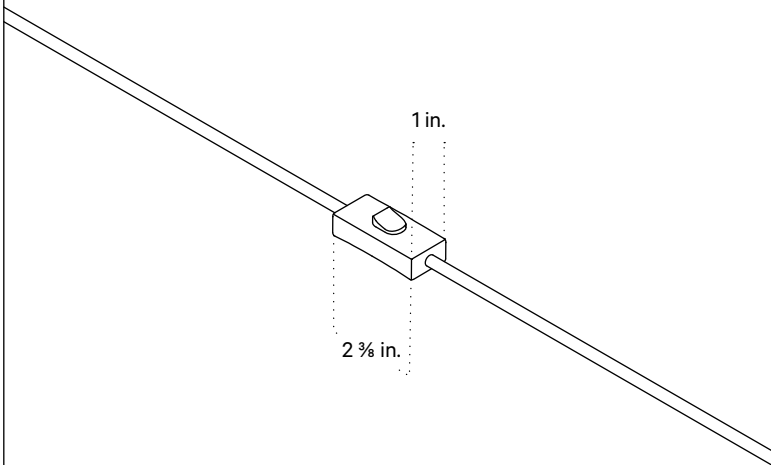
Front View



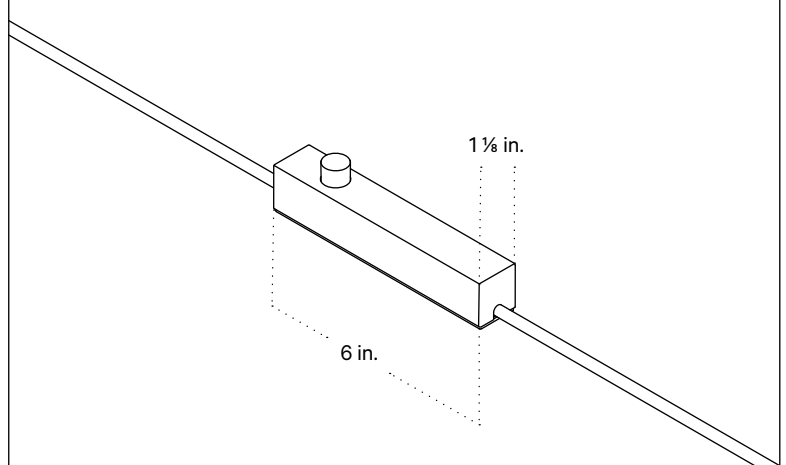
Side View



On/off Switch Detail



Inline Dimmer Switch Detail



Finish Options

Brass, glass, and ceramic samples made or finished by hand may exhibit variability. Available for purchase at incommonwith.com/finishes.

Ceramic



Tan Clay



White Clay



Terracotta

Painted Metal



Black



Bone



Oxide Red



Reed Green



Peach

Brass



Brass



Patina Brass



Blackened Brass



Pewter