

grazia&co melbourne
1 / 10-14 advantage road
highett, vic, 3190
phone +61 3 9555 5760

grazia&co sydney
12b, 32 ralph street
alexandria, nsw, 2015
phone +61 2 8914 0350

harvey sofa



australian made fully upholstered sofa with feather fibre wrap seat & back cushions. straight or curve detail to arms. available in custom sizes and configurations.

grazia&co[®]

leather

semi aniline leather
origin: italy

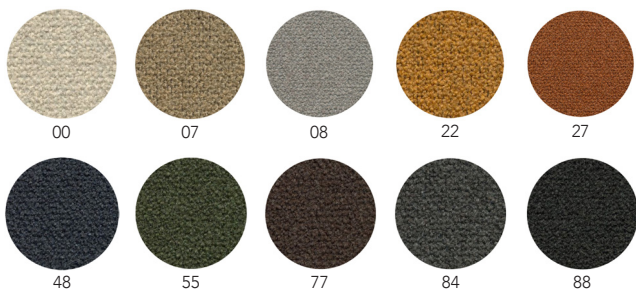


powder coat



boucle

composition: 28% acrylic / 24% cotton / 20% viscose / 16% wool / 12% polyester
origin: netherlands



velvet

composition: 39% cotton / 28% alpaca / 11% polyester / 9% wool / 7% nylon / 6% viscose.
origin: italy



weave

composition: 15% linen / 40% cotton / 20% viscose / 20% acrylic / 5% polyester
origin: belgium



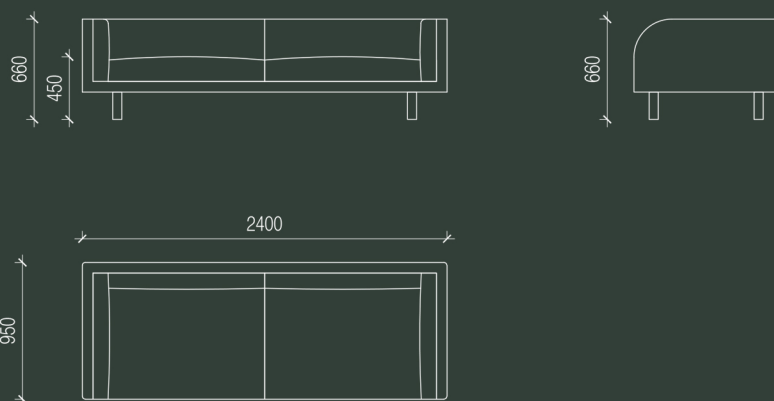
custom finishes as specified



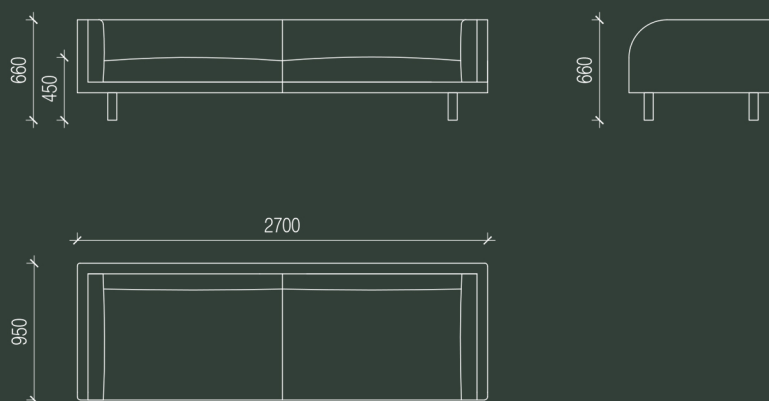
technical specifications

harvey curved arm sofa

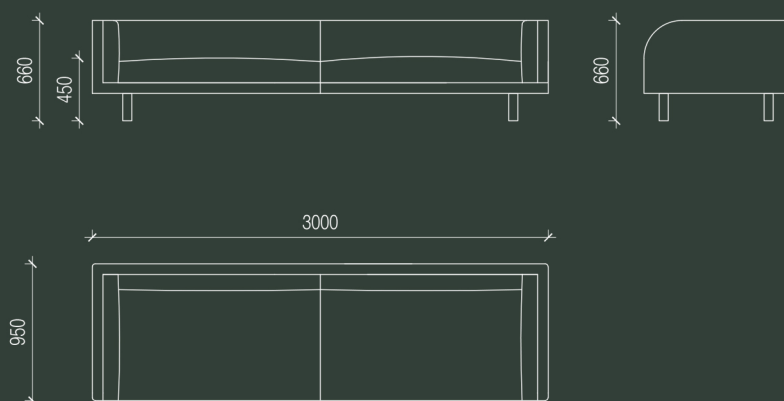
1



2

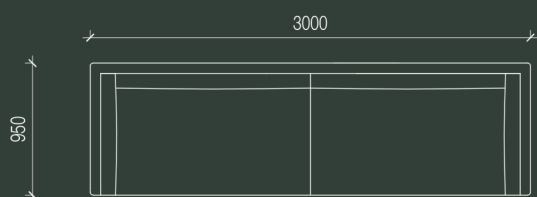
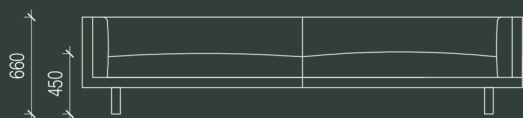
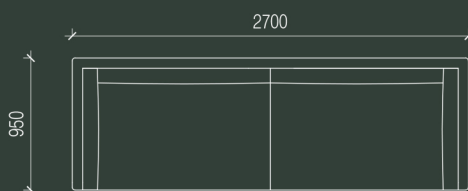
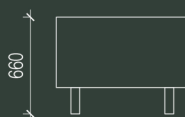
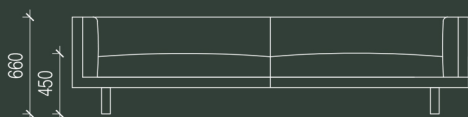
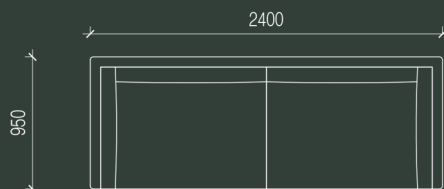
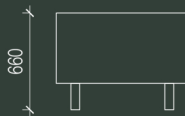
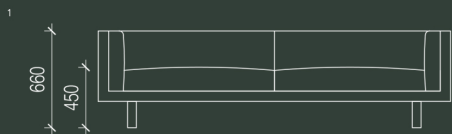


3



technical specifications

harvey straight arm sofa



dimensions

harvey sofa straight arm



harvey straight arm sofa

2400l x 950w x 450sh / 660bh

harvey sofa curved arm



harvey curved arm sofa

2400l x 950w x 450sh / 660bh

both sofas also available in sizes 2700l x 950w x 450sh / 800bh and 3000l x 950w x 450sh / 800bh

modular and custom sizes also available

grazia&co[®]

year released
2015

warranty

- i. warranty period of 7 years for the structural integrity of the furniture under 'normal use'
- ii. the warranty covers the timber and metal frames, the suspension and the foam integrity.
- iii. fabric and leather wear and tear are not warranted.
- iv. fabric and leather that has faded or broken down due to exposure to sunlight or extreme weather conditions is not warranted.
- v. care instructions and warranty claims of fabric to be addressed with the textile supplier or specifier.
- vi. it is the responsibility of the specifier and/or supplier that has selected and/or supplied a fabric or leather through 3rd party suppliers to ensure it is free of faults and fit for purpose and application.

to view the full warranty please refer to the link below
<https://graziaandco.com.au/grazia-terms-and-conditions/>

craftmanship:	designed and manufactured in australia
materials:	fully upholstered ply frame, feather wrapped foam and specified upholstery
lead time:	8-10 weeks. lead times may vary during peak periods
suitability:	indoor use



australian
made



7 year
warranty

year released
2015

house leather care

protect from direct sunlight, heat and weather. dust with a clean dry cloth or use the soft brush attachment on your vacuum cleaner. remove all liquid and food spills immediately. wipe with a clean cloth dampened with proprietary brand leather cleaner suitable for a surface finish leather.

velvet

all spills must be actioned right away- blotting the area immediately with a clean, dry absorbent cloth. never bleach, tumble dry, machine wash or iron. have velvet upholstery professionally cleaned according to the velvet suppliers' recommendations. to remove dust, vacuum regularly using low suction and soft brush attachment or using a soft lint brush.

cotton & polyester

protect from direct sunlight. vacuum regularly using low suction and soft brush attachment. professionally clean in accordance to the fabric suppliers' instructions. treat spills and stains as soon as possible with a clean damp cloth. dry in the shade, allow to dry thoroughly before use.

custom specified upholstery

please refer to individual suppliers for information on care and maintenance of fabrics that have been specified by a designer, as these will be outside the standard grazia&co range. most interior upholstery fabric should be regularly vacuumed and kept away from direct sunlight.

powder coated items care

wash as required with warm soapy water using a soft clean cloth. for marine or commercial environments, we recommend regular cleaning. do not pressure wash or steam items that are powder coated. if powder coating chips due to a knock and / or rough treatment this is not covered by warranty. touch up paint can be purchased on request (depending on availability). scratches and chips should be repaired as soon as they appear.

please visit [grazia&co website](#) for further details.



australian
made



no direct
sunlight



do not dry
clean



do not
machine
wash



do not iron

grazia&co[®]